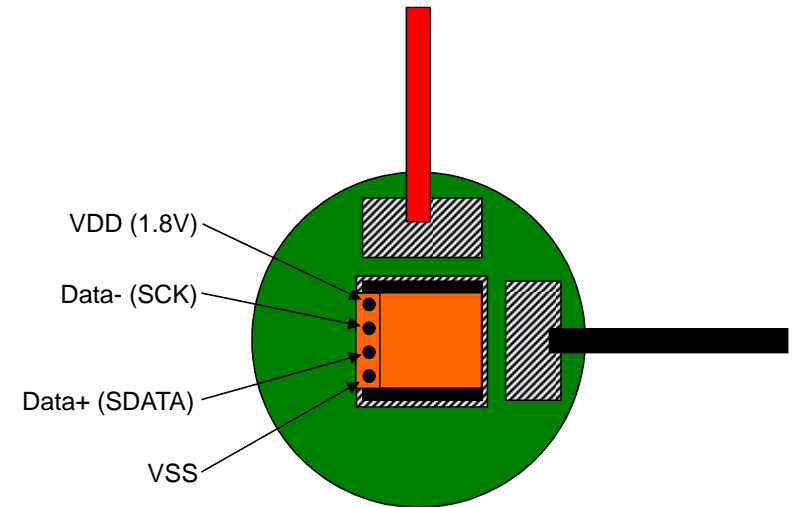
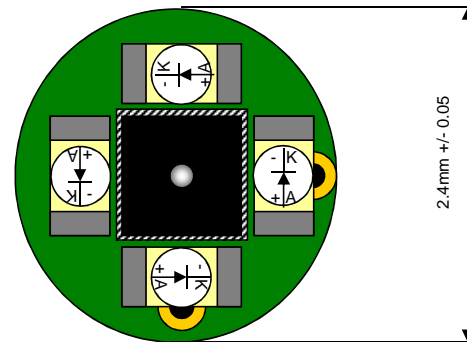
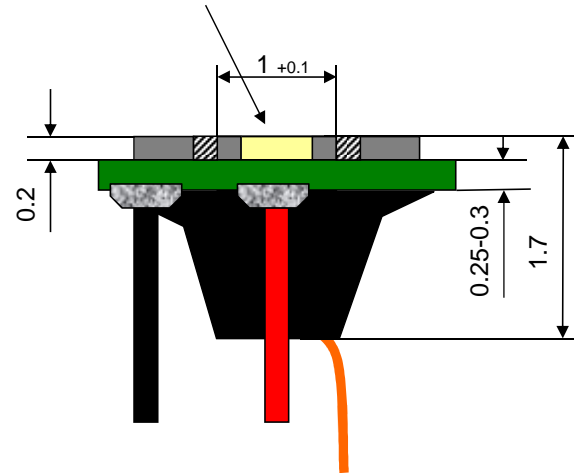


LED Illumination accessory to NanEye camera

The LED ring can be assembled as add on option to the NanEye camera module.
 The 4 ultra bright LED's are supplied with 12V – 15V and I max of 10mA over a separate cable pair to the standard NanEye assembly.

NanEye Camera, flat float glass entrance window



IMAGING FOR MEDICAL
 www.awaiba.com
 sales@awaiba.com
 +41 24 510 03

Version	Date	Editor	Part number:	Description:	Page
v2.0	01.03.12	S.Voltz	100267	NanEye_LED_Head_2.4mm	1 1