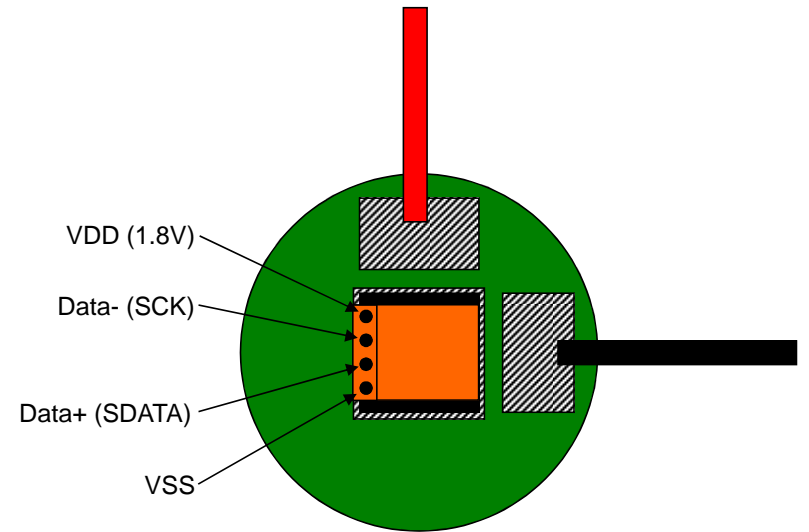
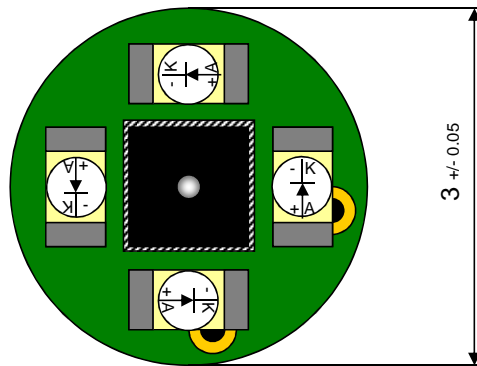
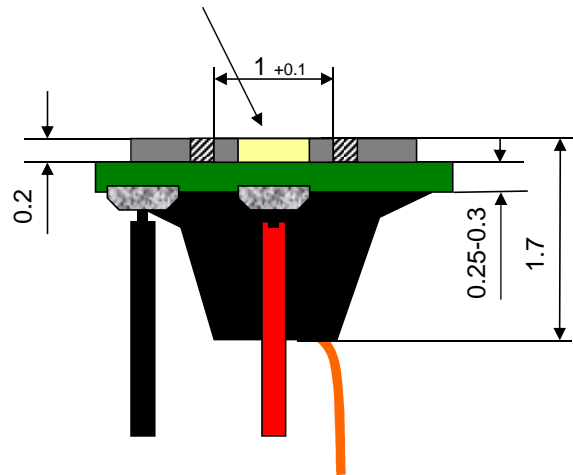


# LED Illumination accessory to NanEye camera

The LED ring can be assembled as add on option to the NanEye camera module.  
 The 4 ultra bright LED's are supplied with 12V – 15V and I max of 10mA over a separate cable pair to the standard NanEye assembly.

NanEye Camera, flat float glass entrance window



Version	Date	Editor	Part number:	Description:	Page	
v2.0	01.03.12	S.Voltz				NanEye_LED_Head_3mm